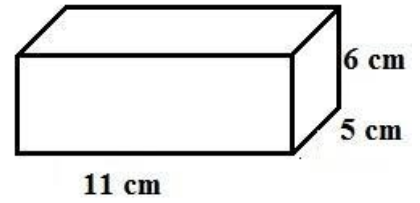
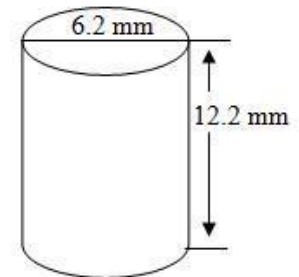


### Unit 6 Hand In #1

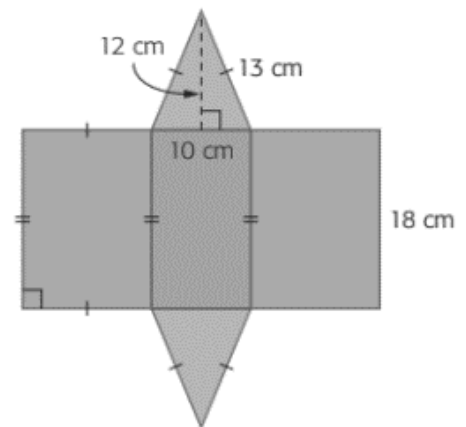
1. Calculate the surface area of the rectangular prism below; prism below;



2. Calculate the surface area of the cylinder below;



3. Calculate the surface area of the triangular prism below;



4. Keiko has three gift boxes that each measure  $10'' \times 7'' \times 3''$ . How much wrapping paper does she need to cover the two boxes?

5. A can of frozen fruit juice that is 6.7 cm in diameter and 11.8 cm high is made of a cardboard tube, and a metal top and bottom. If 10 cans are recycled, what is the total amount of cardboard recycled?

6. John has enough paint to cover 175 square feet. He wants to paint this entire square pyramid, including the base. Does he have enough paint? How much more does he need, or how much does he have left over?

